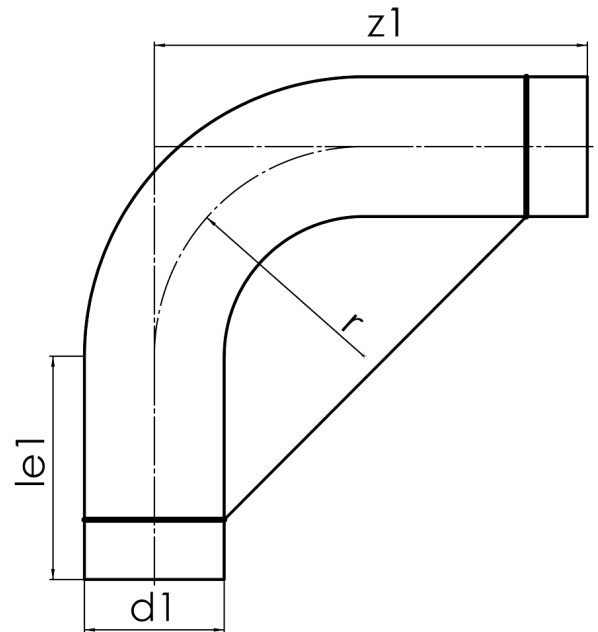


long spigot for butt- and electrofusion welding

PE 100



SDR 17



Art. No.	d1 [mm]	le1* [mm]	z1 [mm]	r [mm]	kg
41950091	90	100	650	450	1.53

tolerance + / - 5°

necessary fixations will be charged separately and credited completely by carriage free returning

\* minimum „le1“

For questions, please feel free to contact us at: Tel. + 49 281 98 414 - 0