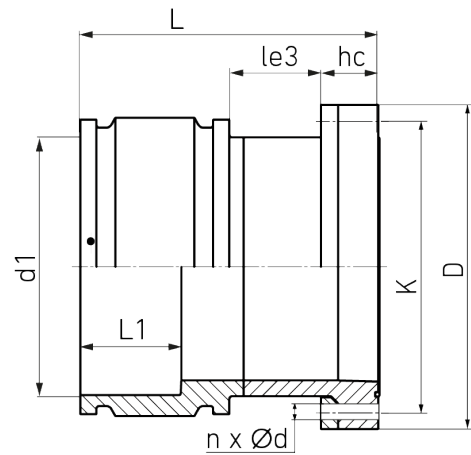


drilled according to DIN EN 1092-1 PN 10
 with EPDM-O-ring gasket and backing ring steel plastic coated
 optional with steel hot-dip galvanized or stainless steel backing ring
 4,0 mm pin

PE100-RC



SDR 11



| Art. No. | DN [mm] | d1 [mm] | D [mm] | le3 [mm] | L [mm] | L1 [mm] | K [mm] | n | ??d [mm] | hC [mm] | kg |
|------------------|------------|------------|-----------|-------------|-----------|------------|-----------|----|-------------|------------|------|
| 3330881105000000 | 400 | 500 | 565 | 180 | 665 | 175 | 515 | 16 | 26 | 100 | 72,1 |

Other materials, dimensions and pressure classes on request

For questions, please feel free to contact us at: Tel. + 49 281
 98 414 - 0