

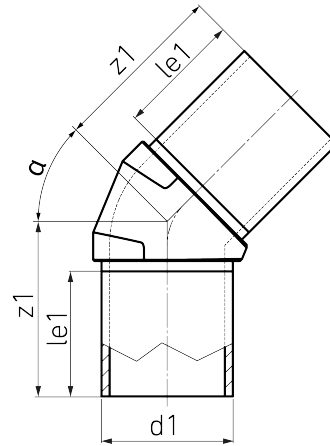
# ELBOW



45°

long spigot for butt- and electrofusion welding

PE100-RC



## SDR 11



Art. No.	d1 [mm]	le1 [mm]	z1 [mm]	kg
3414041107100000	710	350	605	189,41

Tolerance:  $\alpha \pm 2^\circ$

For questions, please feel free to contact us at: Tel. + 49 281 98 414 - 0