

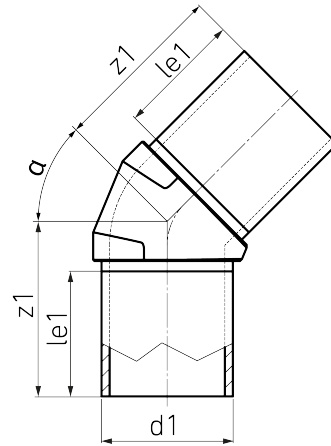
ELBOW



45°

long spigot for butt- and electrofusion welding

PE100-RC



SDR 11



Art. No.	d1 [mm]	le1 [mm]	z1 [mm]	kg
3414041114000000	1400	550	1012	1290,17

Tolerance: $\alpha \pm 2^\circ$

For questions, please feel free to contact us at: Tel. + 49 281 98 414 - 0