

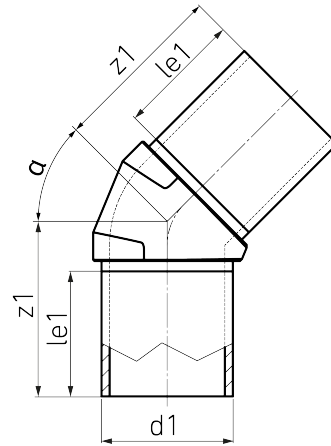
ELBOW



45°

long spigot for butt- and electrofusion welding

PE100-RC



SDR 17



| Art. No. | d1 [mm] | le1 [mm] | z1 [mm] | kg |
|------------------|------------|-------------|------------|-------|
| 3414041710000000 | 1000 | 400 | 732 | 599,5 |

Tolerance: $\alpha \pm 5^\circ$

For questions, please feel free to contact us at: Tel. + 49 281 98 414 - 0