

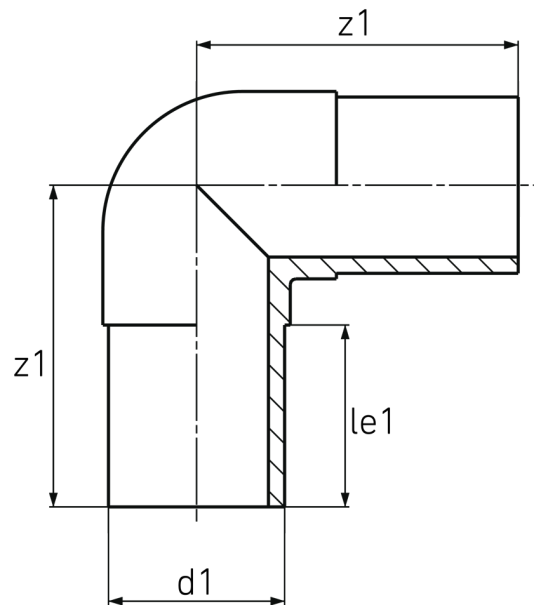
# ELBOW



90°

long spigot for butt- and electrofusion welding

PE100



## SDR 9



Art. No.	d1 [mm]	le1 [mm]	z1 [mm]	kg
3419020901400000	140	94	172	2,45

Tolerance:  $\alpha \pm 2^\circ$

\* SRD 7,4 chamfered to SDR 9 (7.1 - 8.0 mm)

For questions, please feel free to contact us at: Tel. + 49 281 98 414 - 0