

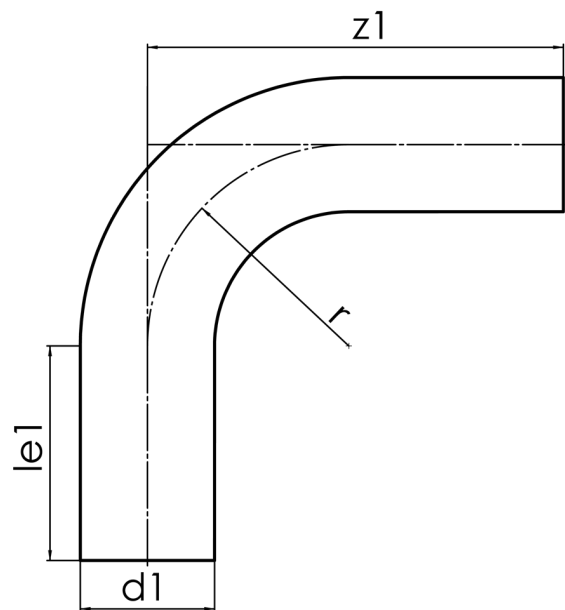
SEAMLESS BEND



90°

$r \approx 1,5 \times d$
long spigot for butt- and electrofusion welding

PP



SDR 11



| Art. No. | d1 [mm] | le1* [mm] | z1 [mm] | r [mm] | kg |
|------------------|------------|--------------|------------|-----------|------|
| 4210591100900000 | 90 | 150 | 300 | 135 | 0,75 |

other dimensions, materials and pressure classes on request

Tolerance: $\alpha \pm 5^\circ$ | $z1 \pm 50$ mm

* minimum „le1“

For questions, please feel free to contact us at: Tel. + 49 281 98 414 - 0