

BLANKING FLANGE SET

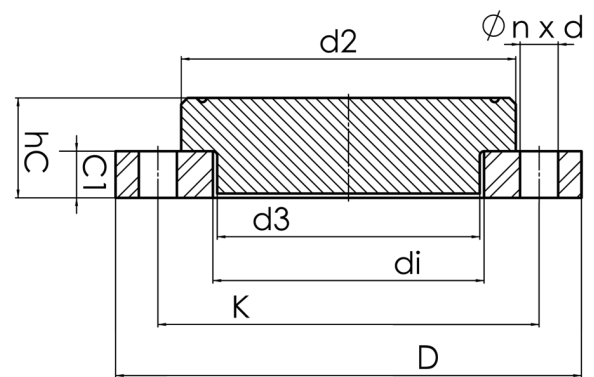


drilled according to DIN EN 1092-1 PN 10

Set composed of:

loose flange PP glass fiber reinforced with steel inlay with PP-R end blank
optional with threaded connection

PP



| Art. No. | DN [mm] | d1 [mm] | d2 [mm] | d3 [mm] | D [mm] | K [mm] | n | ød [mm] | C1 [mm] | hc [mm] | kg |
|------------------|------------|------------|------------|------------|-----------|-----------|---|------------|------------|------------|----|
| 4213150001800150 | 150 | 180 | 212 | 183 | 286 | 240 | 8 | 22 | 27 | 57 | 4 |

other dimensions and pressure classes on request
PFA = maximum allowable operating pressure (20°)

For questions, please feel free to contact us at: Tel. + 49 281 98
414 - 0