

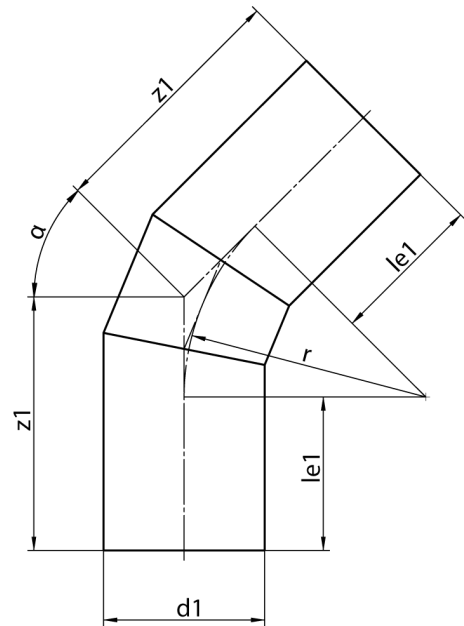
# BEND SEGMENT WELDED



45°

long spigot for butt- and electrofusion welding  
welded from pipe, non-reinforced

PP



SDR 17,6



Art. No.	d1 [mm]	le1 [mm]	z1 [mm]	r [mm]	kg
4214071802250000	225	195	290	338	4,50

other dimensions and pressure classes on request  
tolerance + / - 2°

For questions, please feel free to contact us at: Tel. + 49 281 98 414 - 0