

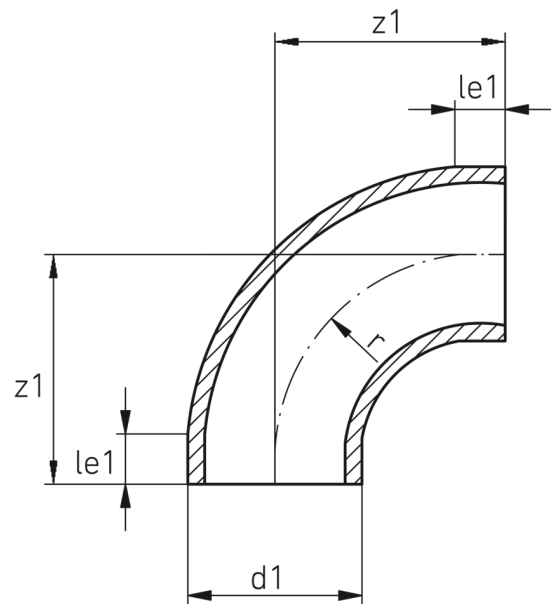
SEAMLESS BEND



90??

$r = 1 \times d$
 injection moulded
 short spigot for butt welding

PP



SDR 17,6

Art. No.	d1 [mm]	le1 [mm]	z1 [mm]	r [mm]	kg
4219901803550000	355	40	340	355	10,8

Other materials on request

For questions, please feel free to contact us at: Tel. + 49 281 98 414 - 0