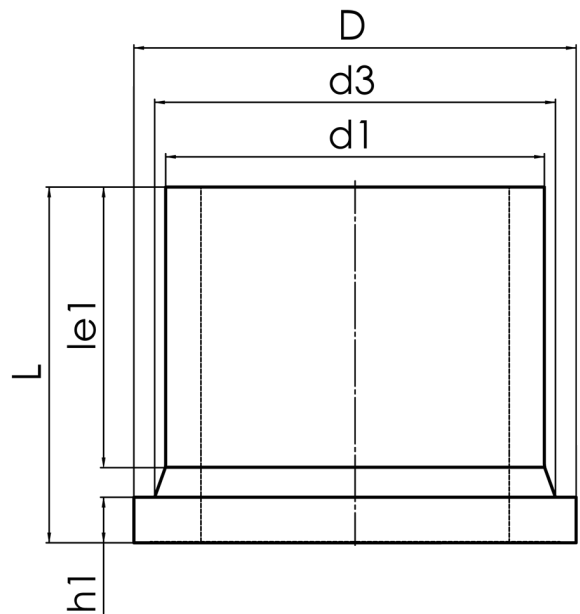


STUB END



long spigot for butt- and electrofusion welding

PP



SDR 17,6



Art. No.	d1 [mm]	d3 [mm]	D [mm]	le1 [mm]	L [mm]	h1 [mm]	kg
4230031803550000	355	373	430	164	234	30	6,2

other dimensions and pressure classes on request

For questions, please feel free to contact us at: Tel. + 49 281 98 414 - 0