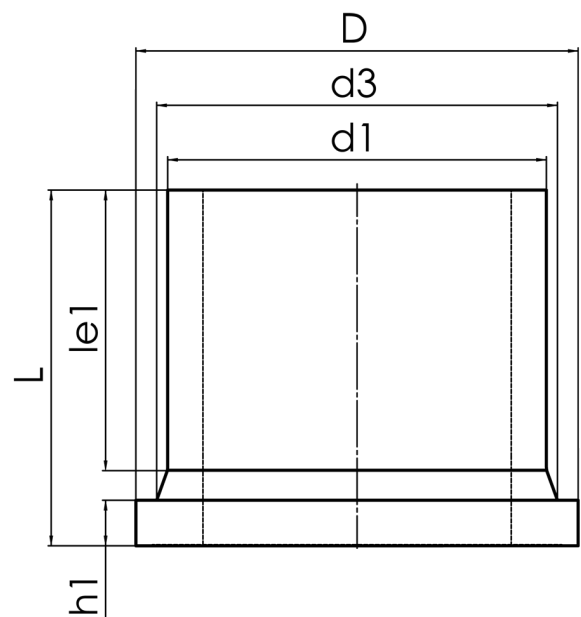


# STUB END



long spigot for butt- and electrofusion welding

PP



## SDR 17,6



Art. No.	d1 [mm]	d3 [mm]	D [mm]	le1 [mm]	L [mm]	h1 [mm]	kg
4230031804500000	450	514	585	195	301	46	15,6

other dimensions and pressure classes on request

For questions, please feel free to contact us at: Tel. + 49 281 98 414 - 0