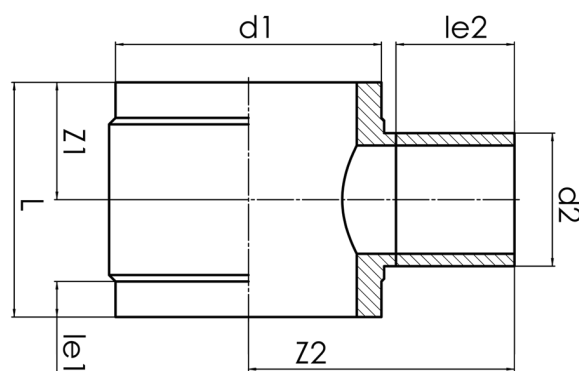
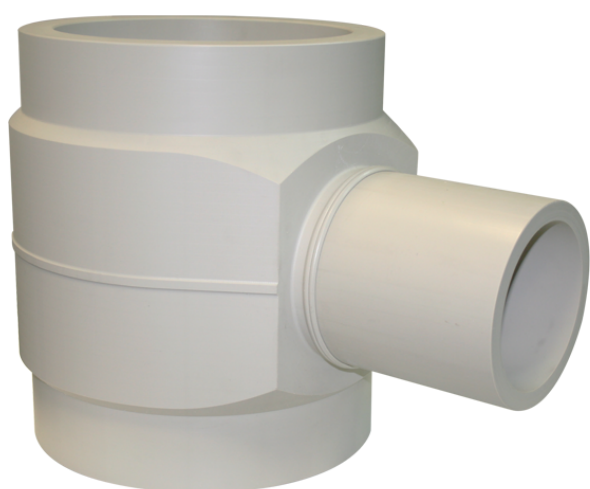


TEE REDUCED



short spigot for butt welding

PP



SDR 17,6



| Art. No. | d1 [mm] | d2 [mm] | le1 [mm] | le2 [mm] | L [mm] | z1 [mm] | z2 [mm] | kg |
|------------------|------------|------------|-------------|-------------|-----------|------------|------------|-----|
| 4232201802800075 | 280 | 75 | 70 | 150 | 281 | 141 | 321 | 4,8 |

other dimensions and pressure classes on request

For questions, please feel free to contact us at: Tel. + 49 281 98 414 - 0