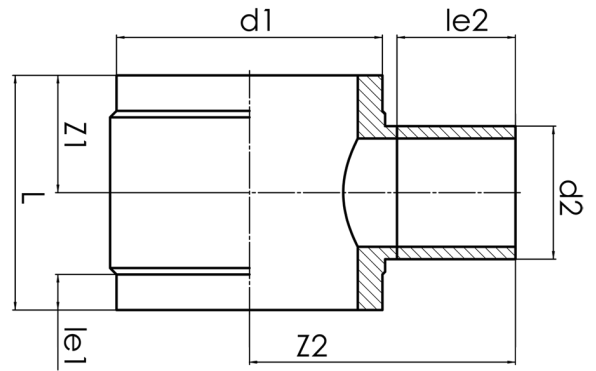


TEE REDUCED



short spigot for butt welding

PP



SDR 17,6



| Art. No. | d1 [mm] | d2 [mm] | le1 [mm] | le2 [mm] | L [mm] | z1 [mm] | z2 [mm] | kg |
|------------------|------------|------------|-------------|-------------|-----------|------------|------------|------|
| 4232201805000400 | 500 | 400 | 75 | 300 | 618 | 309 | 581 | 41,8 |

other dimensions and pressure classes on request

For questions, please feel free to contact us at: Tel. + 49 281 98 414 - 0