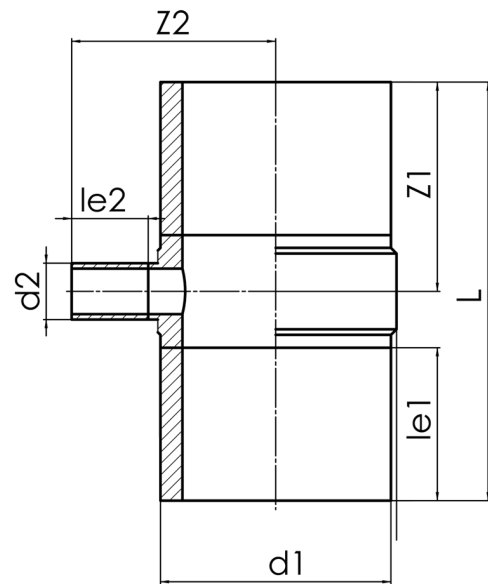


# TEE REDUCED



long spigot for butt- and electrofusion welding

PP



## SDR 11



| Art. No.         | d1<br>[mm] | d2<br>[mm] | le1<br>[mm] | le2<br>[mm] | L<br>[mm] | z1<br>[mm] | z2<br>[mm] | kg    |
|------------------|------------|------------|-------------|-------------|-----------|------------|------------|-------|
| 4232301102800063 | 280        | 63         | 250         | 150         | 676       | 321        | 338        | 13,80 |

other dimensions and pressure classes on request

For questions, please feel free to contact us at: Tel. + 49 281 98 414 - 0