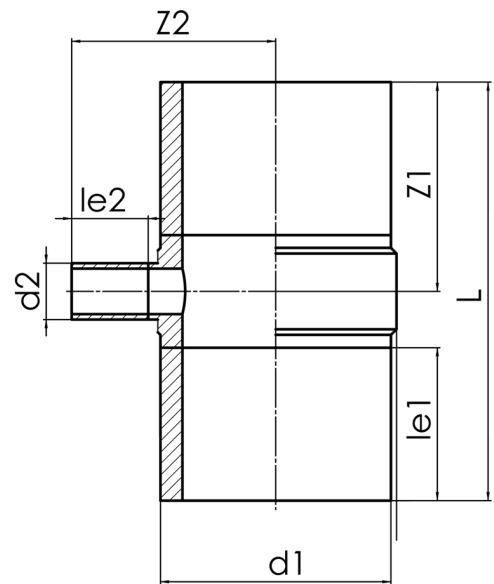


TEE REDUCED



long spigot for butt- and electrofusion welding

PP



SDR 11



| Art. No. | d1 [mm] | d2 [mm] | le1 [mm] | le2 [mm] | L [mm] | z1 [mm] | z2 [mm] | kg |
|------------------|------------|------------|-------------|-------------|-----------|------------|------------|-------|
| 4232301104500200 | 450 | 200 | 300 | 150 | 917 | 406 | 459 | 49,40 |

other dimensions and pressure classes on request

For questions, please feel free to contact us at: Tel. + 49 281 98 414 - 0