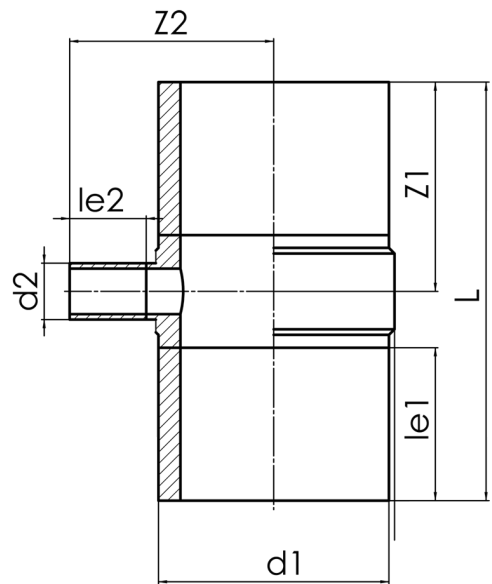


TEE REDUCED



long spigot for butt- and electrofusion welding

PP



SDR 17,6



| Art. No. | d1 [mm] | d2 [mm] | le1 [mm] | le2 [mm] | L [mm] | z1 [mm] | z2 [mm] | kg |
|------------------|------------|------------|-------------|-------------|-----------|------------|------------|----|
| 4232301802800110 | 280 | 110 | 250 | 150 | 726 | 363 | 321 | 11 |

other dimensions and pressure classes on request

For questions, please feel free to contact us at: Tel. + 49 281 98 414 - 0