

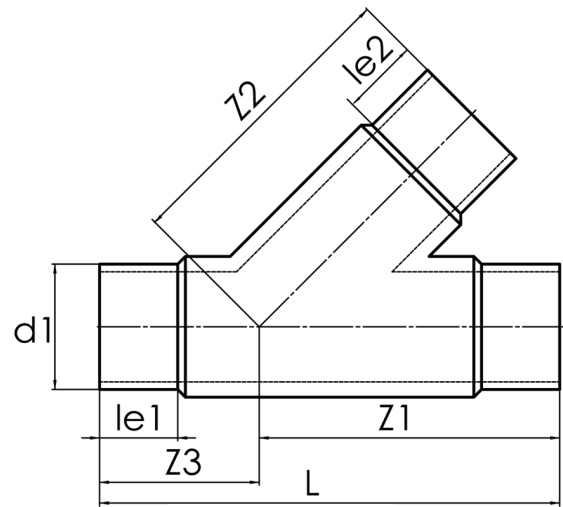
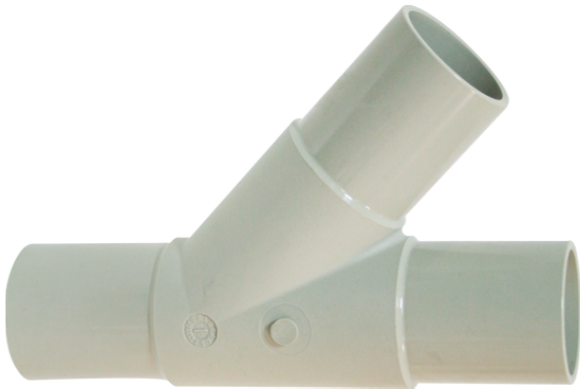
TECHNICAL DATA SHEET  
**BRANCH EQUAL**



45??

long spigot for butt- and electrofusion welding

PP



**SDR 11**

Art. No.	d1 [mm]	d2 [mm]	le1 [mm]	le2 [mm]	L [mm]	z1 [mm]	z2 [mm]	z3 [mm]	kg
4242711100630063	63	63	69	69	255	158	158	92	0,4

Other materials, dimensions and pressure classes on request

For questions, please feel free to contact us at: Tel. + 49 281 98 414 - 0