

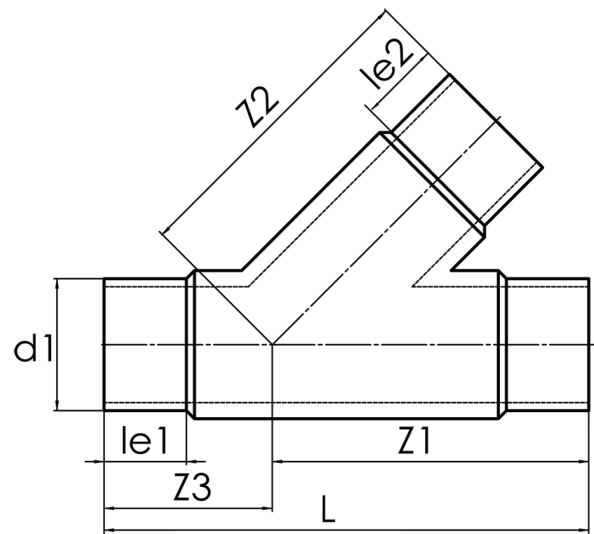
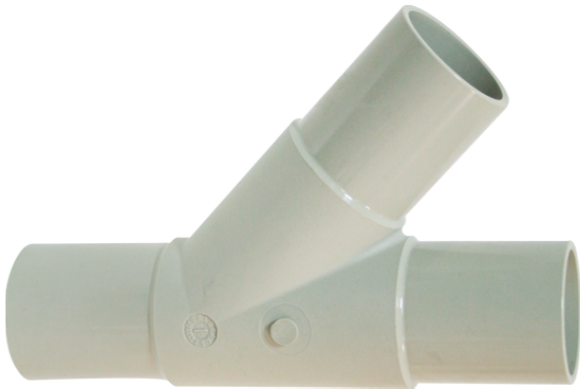
TECHNICAL DATA SHEET
BRANCH EQUAL



45??

long spigot for butt- and electrofusion welding

PP



SDR 11



Art. No.	d1 [mm]	d2 [mm]	le1 [mm]	le2 [mm]	L [mm]	z1 [mm]	z2 [mm]	z3 [mm]	kg
4242811105000500	500	500	212	212	1785	1208	1208	578	334

other dimensions and pressure classes on request

For questions, please feel free to contact us at: Tel. + 49 281 98 414 - 0