

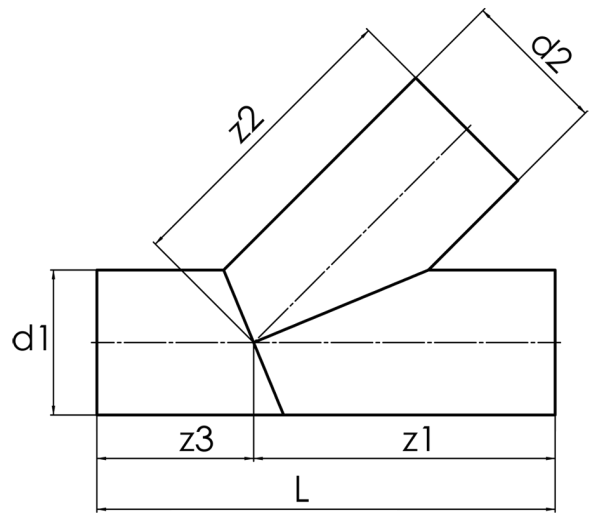
TECHNICAL DATA SHEET
BRANCH EQUAL



45°

long spigot for butt- and electrofusion-welding
 welded from pipe, non-reinforced

PP



SDR 17,6



Art. No.	d1 [mm]	d2 [mm]	L [mm]	z1 [mm]	z2 [mm]	z3 [mm]	kg
4242851804000400	400	400	1266	833	833	433	44,3

PE on request
 other dimensions and pressure classes on request
 tolerance + / - 2°

For questions, please feel free to contact us at: Tel. + 49 281 98 414 - 0