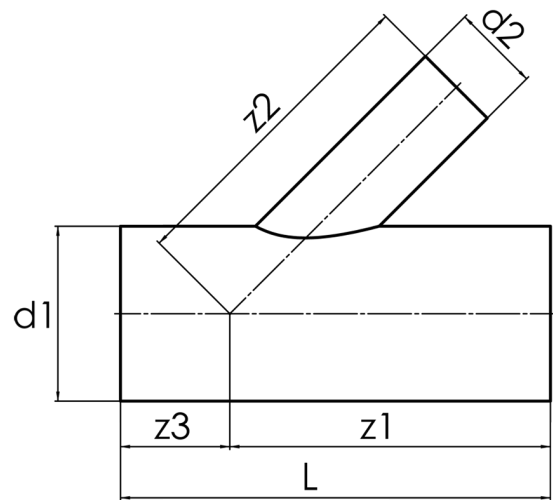
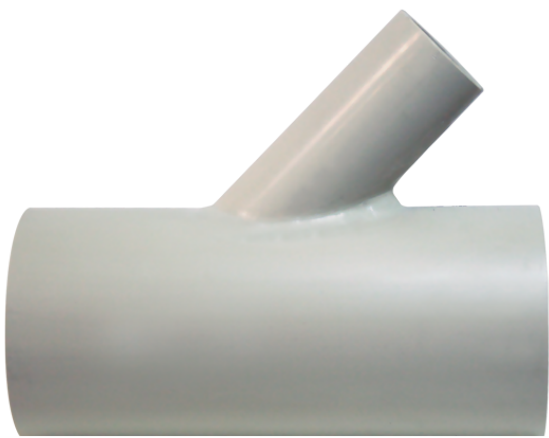


long spigot for butt- and electrofusion-welding
welded from pipe, non-reinforced

PP



SDR 17,6



Art. No.	d1 [mm]	d2 [mm]	L [mm]	z1 [mm]	z2 [mm]	z3 [mm]	kg
4242851804500180	450	180	850	650	650	200	29

Other materials, dimensions and pressure classes on request
tolerance + / - 2°

For questions, please feel free to contact us at: Tel. + 49 281 98 414 - 0