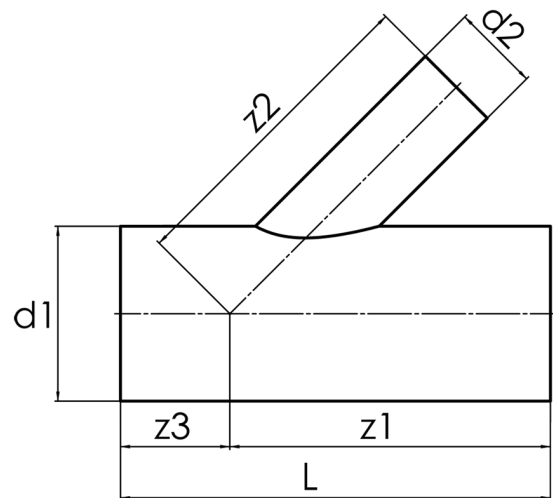
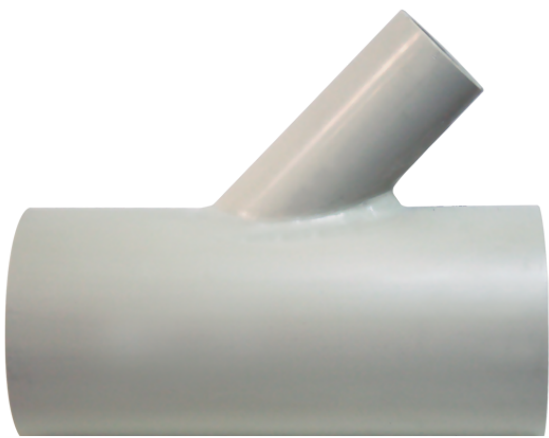


long spigot for butt- and electrofusion welding
welded from pipe, non-reinforced

PP



SDR 11



| Art. No. | d1 [mm] | d2 [mm] | L [mm] | z1 [mm] | z2 [mm] | z3 [mm] | kg |
|------------------|------------|------------|-----------|------------|------------|------------|-------|
| 4242861104500140 | 450 | 140 | 750 | 505 | 505 | 245 | 37,10 |

other dimensions and pressure classes on request
tolerance + / - 2°

For questions, please feel free to contact us at: Tel. + 49 281 98 414 - 0