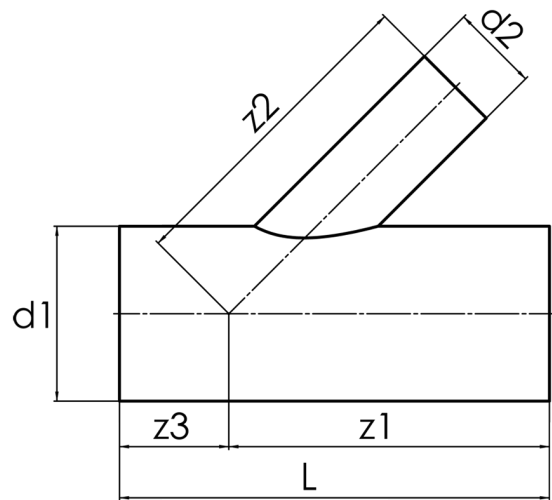
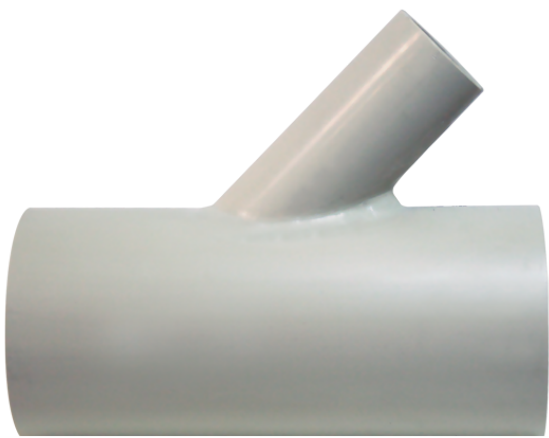


long spigot for butt- and electrofusion welding  
welded from pipe, non-reinforced

PP



**SDR 17,6**



Art. No.	d1 [mm]	d2 [mm]	L [mm]	z1 [mm]	z2 [mm]	z3 [mm]	kg
4242861802800110	280	110	600	381	381	219	7,9

other dimensions and pressure classes on request  
tolerance + / - 2°

For questions, please feel free to contact us at: Tel. + 49 281 98 414 - 0