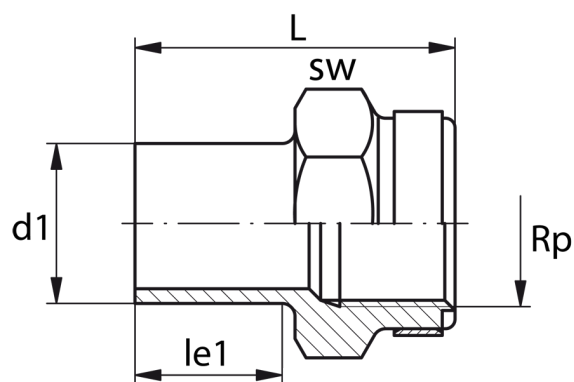
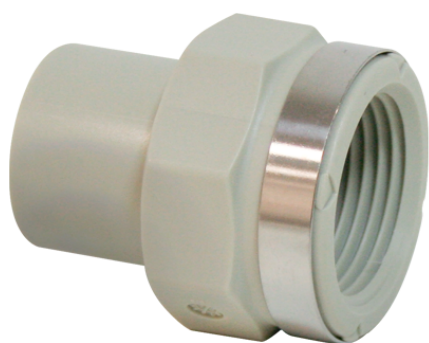


# TRANSITION COUPLER



female thread  
 reinforcing ring stainless (V2A)  
 connection to plastic or metal threads  
 do not use thread sealing pastes that are harmful to PE  
 install with low mechanical stress and avoid large cyclic temperature changes

PP



## SDR 11

Art. No.	d1 [mm]	Rp [mm]	le1 [mm]	L [mm]	SW [mm]	kg
4250111100320100	32	1"	23	54	46	0,04

For questions, please feel free to contact us at: Tel. + 49 281 98 414 - 0