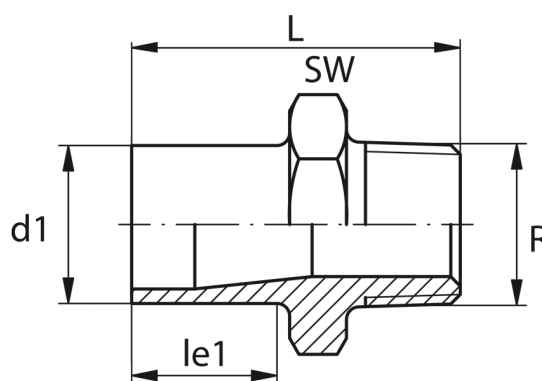


male thread
do not use thread sealing pastes that are harmful to PE
install with low mechanical stress and avoid large cyclic temperature changes

PP



SDR 11

Art. No.	d1 [mm]	Rp [mm]	le1 [mm]	L [mm]	SW [mm]	kg
4250701100500112	50	1??"	23	60	65	0,06

For questions, please feel free to contact us at: Tel. + 49 281 98 414 - 0