

# SEAMLESS BEND

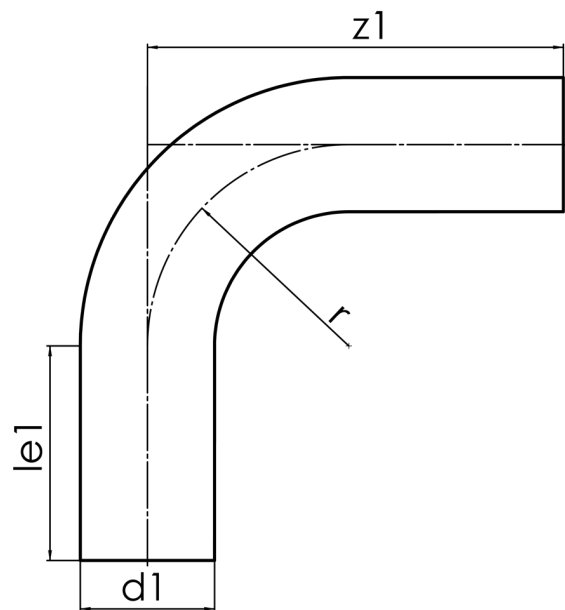


nicht EN konform

90°

$r \approx 1,5 \times d$   
long spigot for butt- and electrofusion welding

PE100-RC



## SDR 17



Art. No.	d1 [mm]	le1* [mm]	z1 [mm]	r [mm]	kg
4310591700320000	32	100	200	48	0,1

other dimensions, materials and pressure classes on request

Tolerance:  $\alpha \pm 5^\circ$

\* minimum „le1“

For questions, please feel free to contact us at: Tel. + 49 281 98 414 - 0