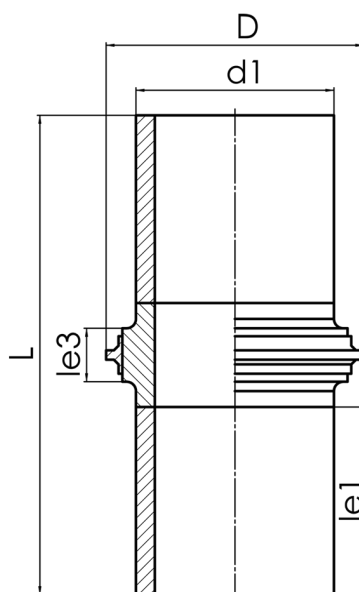


WALL DUCT WATERTIGHT AND PULL RESISTANT



watertight till d 315 mm up to 3 bar, from d 355 mm up to 1 bar

PE100-RC



SDR 11



| Art. No. | d1 [mm] | D [mm] | le1 [mm] | le3 [mm] | L [mm] | kg |
|------------------|------------|-----------|-------------|-------------|-----------|-------|
| 4312341104500000 | 450 | 580 | 300 | 85 | 775 | 44,40 |

For questions, please feel free to contact us at: Tel. + 49 281 98 414 - 0