

# BLANKING FLANGE SET

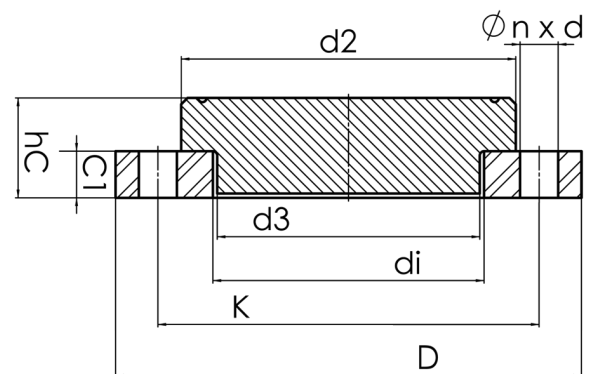


drilled according to DIN EN 1092-1 PN 10

Set composed of:

loose flange PP glass fiber reinforced with steel inlay with PE 100 end blank  
optional with threaded connection

PE100



| Art. No.         | DN<br>[mm] | d1<br>[mm] | d2<br>[mm] | d3<br>[mm] | D<br>[mm] | K<br>[mm] | n | ød<br>[mm] | C1<br>[mm] | hc<br>[mm] | PFA<br>[bar] | kg |
|------------------|------------|------------|------------|------------|-----------|-----------|---|------------|------------|------------|--------------|----|
| 4313150001600150 | 150        | 160        | 212        | 173        | 286       | 240       | 8 | 22         | 27         | 57         | 16           | 4  |

Other materials, dimensions and pressure classes on request  
PFA = maximum allowable operating pressure (20°)

For questions, please feel free to contact us at: Tel. + 49 281  
98 414 - 0