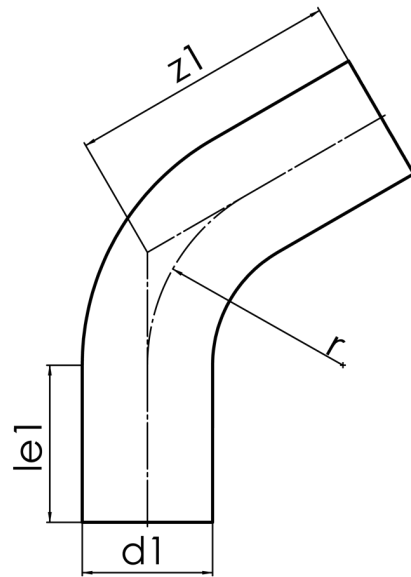


60°

$r \approx 2,5 \times d$   
long spigot for butt- and electrofusion welding

PE100-RC



**SDR 11**



Art. No.	d1 [mm]	le1* [mm]	z1 [mm]	r [mm]	kg
4316051101250000	125	150	350	313	2,6

other dimensions, materials and pressure classes on request

Tolerance:  $\alpha \pm 5^\circ$  |  $z1 \pm 50$  mm

\* minimum „le1“

For questions, please feel free to contact us at: Tel. + 49 281 98 414 - 0