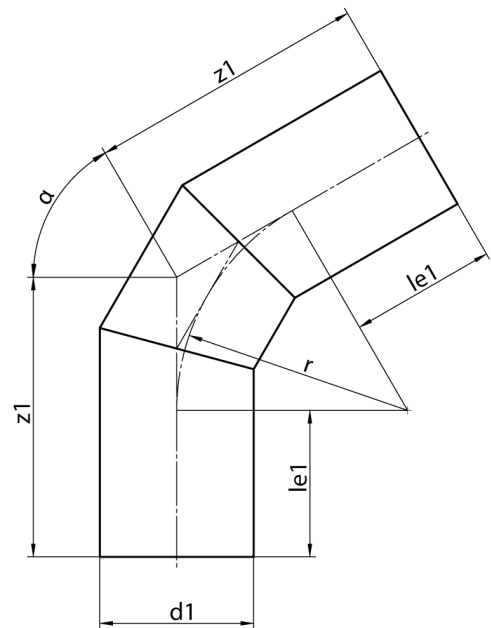


long spigot for butt- and electrofusion welding  
welded from pipe, non-reinforced

PE100-RC



**SDR 11**



| Art. No.         | d1<br>[mm] | le1<br>[mm] | z1<br>[mm] | r<br>[mm] | kg  |
|------------------|------------|-------------|------------|-----------|-----|
| 4316071100630000 | 63         | 100         | 155        | 94,5      | 0,3 |

Other materials, dimensions and pressure classes on request  
tolerance + / - 2°

For questions, please feel free to contact us at: Tel. + 49 281 98 414 - 0