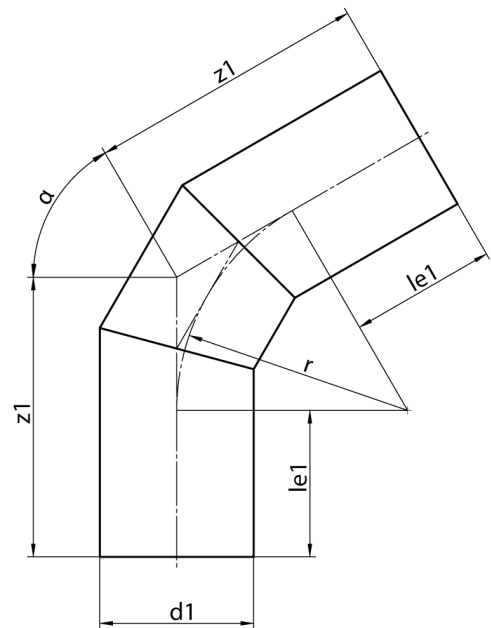


long spigot for butt- and electrofusion welding
welded from pipe, non-reinforced

PE100-RC



SDR 11



| Art. No. | d1 [mm] | le1 [mm] | z1 [mm] | r [mm] | kg |
|------------------|------------|-------------|------------|-----------|-----|
| 4316071100900000 | 90 | 150 | 228 | 135 | 0,9 |

Other materials, dimensions and pressure classes on request
tolerance + / - 2°

For questions, please feel free to contact us at: Tel. + 49 281 98 414 - 0