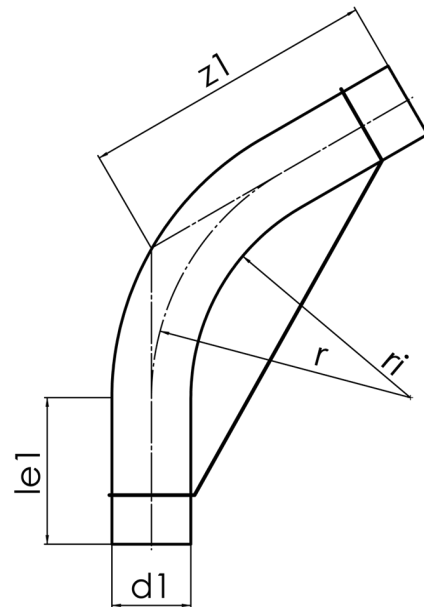


60°

ri ≈ 1100 mm
long spigot for butt- and electrofusion welding

PE100-RC



SDR 11



Art. No.	d1 [mm]	e1* [mm]	z1 [mm]	r [mm]	kg
4316711102250000	225	150	1100	1,213	26,17

Tolerance: $\alpha \pm 5^\circ$ | $z1 \pm 100$ mm
 necessary fixations will be charged seperately and credited completely by
 carriage free returning
 * minimum „e1“

For questions, please feel free to contact us at: Tel. + 49 281 98 414 - 0