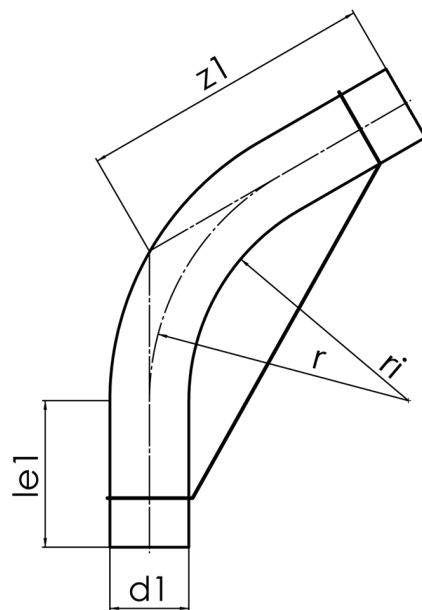


ri ≈ 1100 mm
long spigot for butt- and electrofusion welding

PE100-RC



SDR 17



| Art. No. | d1 [mm] | le1* [mm] | z1 [mm] | r [mm] | kg |
|------------------|------------|--------------|------------|-----------|-------|
| 4316711704000000 | 400 | 300 | 1300 | 1,3 | 66,17 |

Tolerance: $\alpha \pm 5^\circ$ | $z1 \pm 100$ mm
necessary fixations will be charged seperately and credited completely by carriage free returning
* minimum „le1“

For questions, please feel free to contact us at: Tel. + 49 281 98 414 - 0