

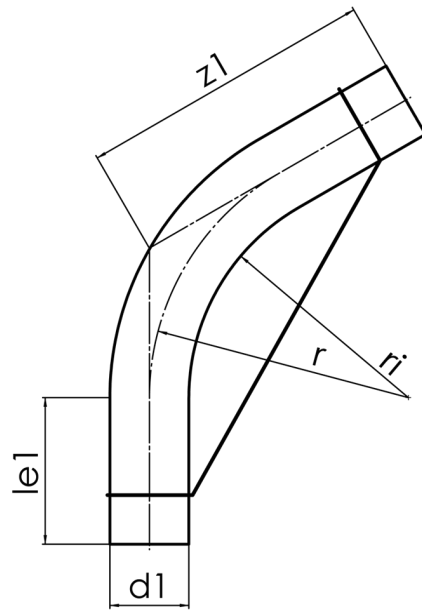
# SEAMLESS BEND



60°

ri ≈ 1750 mm  
long spigot for butt- and electrofusion welding

PE100-RC



## SDR 11



Art. No.	d1 [mm]	le1* [mm]	z1 [mm]	r [mm]	kg
4316721103550000	355	300	1850	1,928	109,38

Tolerance:  $\alpha \pm 5^\circ$  |  $z1 \pm 100$  mm  
 necessary fixations will be charged seperately and credited completely by  
 carriage free returning  
 \* minimum „le1“

For questions, please feel free to contact us at: Tel. + 49 281 98 414 - 0