

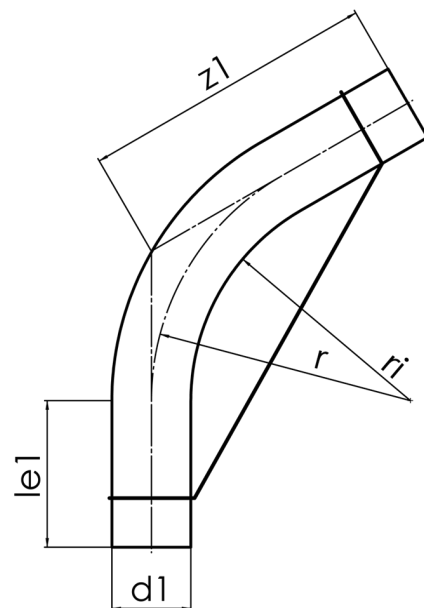
SEAMLESS BEND



60°

ri ≈ 1750 mm
long spigot for butt- and electrofusion welding

PE100-RC



SDR 17



| Art. No. | d1 [mm] | le1* [mm] | z1 [mm] | r [mm] | kg |
|------------------|------------|--------------|------------|-----------|------|
| 4316721700900000 | 90 | 150 | 2430 | 1,795 | 6,42 |

Tolerance: $\alpha \pm 5^\circ$ | $z1 \pm 100$ mm
 necessary fixations will be charged seperately and credited completely by
 carriage free returning
 * minimum „le1“

For questions, please feel free to contact us at: Tel. + 49 281 98 414 - 0