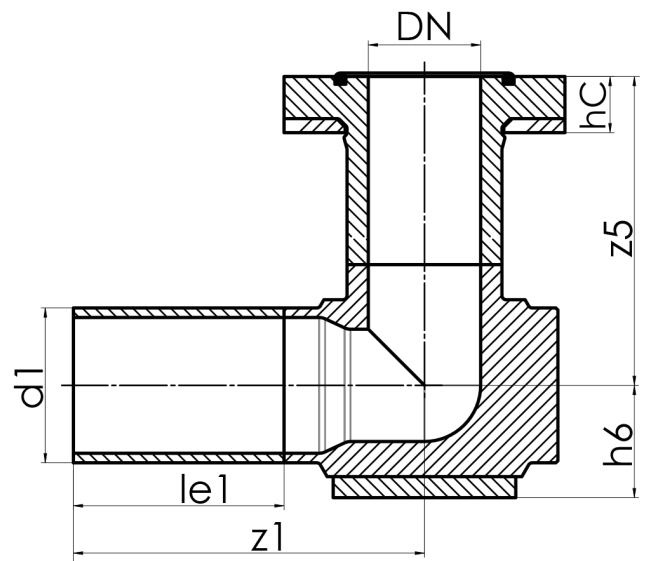


## Flansch-System mit EPDM O-Ring

Flange-System with EPDM O-Ring  
with special/ or KS-flange connection (PN10/PN16) with plastic coated backing ring  
long spigot for butt- and electrofusion welding  
reinforced

PE100-RC



## SDR 17



Art. No.	DN [mm]	d1 [mm]	le1 [mm]	z1 [mm]	h6 [mm]	z5 [mm]	hC [mm]	kg
4317011701100080	80	110	150	250	80	220	40	5,16

other dimensions and pressure classes on request

For questions, please feel free to contact us at: Tel. + 49 281 98 414 - 0