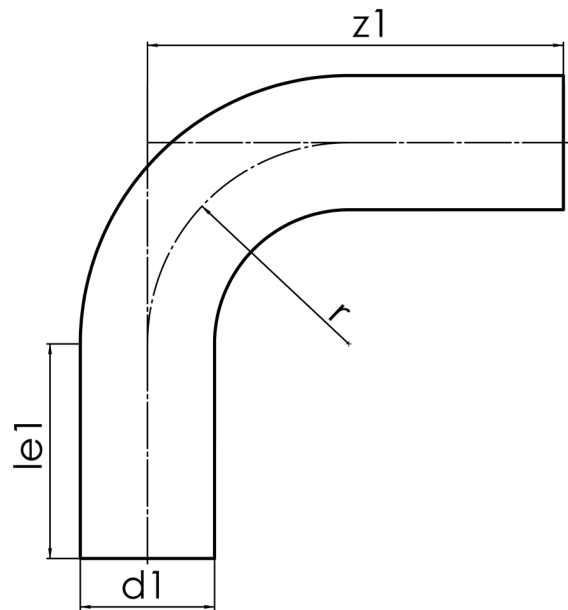


$r \approx 2,5 \times d$   
long spigot for butt- and electrofusion welding

PE100-RC



**SDR 17**



| Art. No.         | d1<br>[mm] | le1*<br>[mm] | z1<br>[mm] | r<br>[mm] | kg    |
|------------------|------------|--------------|------------|-----------|-------|
| 4319051704000000 | 400        | 300          | 1500       | 1         | 68,43 |

other dimensions, materials and pressure classes on request

Tolerance:  $\alpha \pm 5^\circ$  |  $z1 \pm 50$  mm

\* minimum „le1“

For questions, please feel free to contact us at: Tel. + 49 281 98 414 - 0