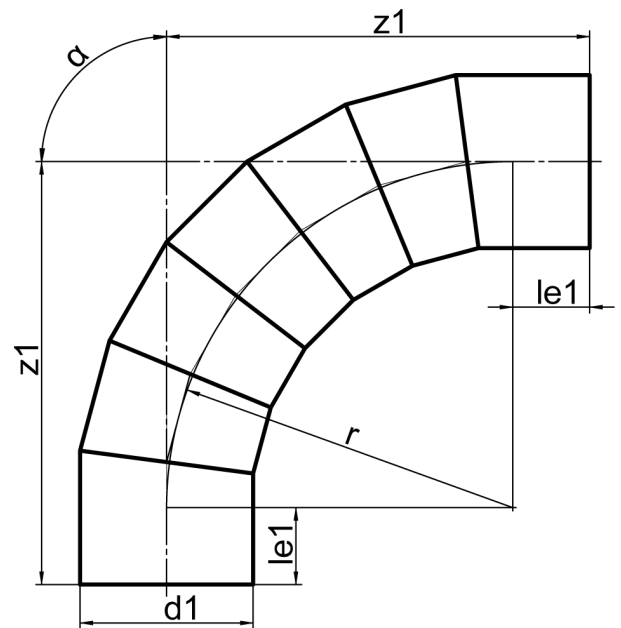
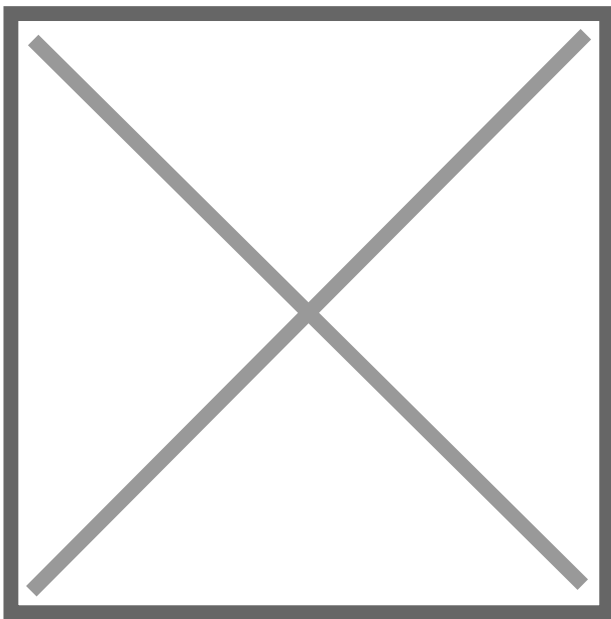


long spigot for butt- and electrofusion welding
welded from pipe

PE100-RC



SDR 11



Art. No.	d1 [mm]	le1 [mm]	z1 [mm]	r [mm]	kg
4319171104500000	450	300	1440	1140	119,9

Other materials, dimensions and pressure classes on request
tolerance + / - 2°

For questions, please feel free to contact us at: Tel. + 49 281 98 414 - 0