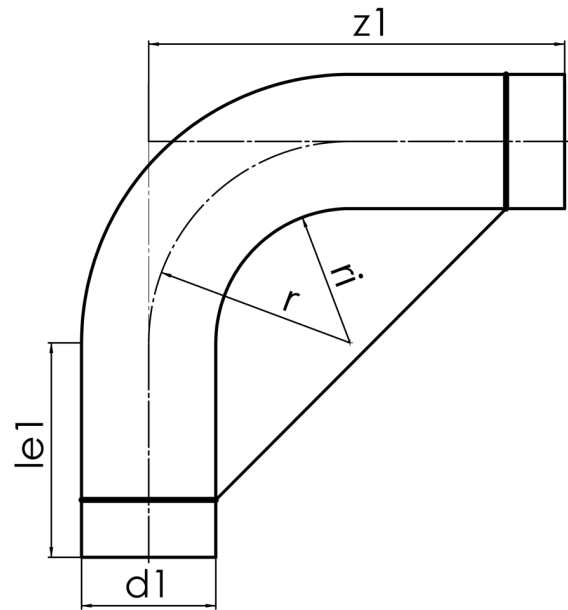


90°

ri ≈ 1100 mm  
long spigot for butt- and electrofusion welding

PE100-RC



**SDR 17**



| Art. No.         | d1<br>[mm] | le1*<br>[mm] | z1<br>[mm] | r<br>[mm] | kg   |
|------------------|------------|--------------|------------|-----------|------|
| 4319711701400000 | 140        | 150          | 1500       | 1,17      | 8,23 |

Tolerance:  $\alpha \pm 5^\circ$  |  $z1 \pm 100$  mm  
 necessary fixations will be charged seperately and credited completely by  
 carriage free returning  
 \* minimum „le1“

For questions, please feel free to contact us at: Tel. + 49 281 98 414 - 0