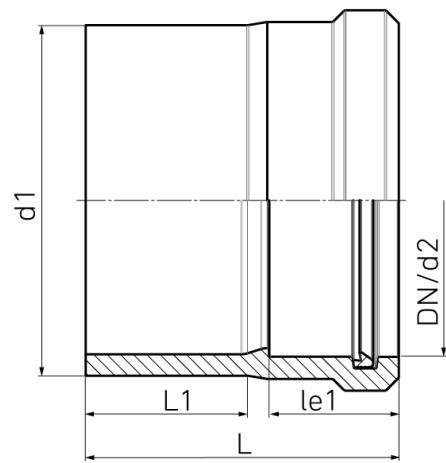


PE100-RC



SDR 11

| Art. No. | DN [mm] | d1 [mm] | d2 [mm] | le1 [mm] | L [mm] | L1 [mm] | kg |
|------------------|------------|------------|------------|-------------|-----------|------------|------|
| 4320601102000200 | 200 | 200 | 200 | 112 | 239 | 90 | 2,59 |

For questions, please feel free to contact us at: Tel. + 49 281 98 414 - 0