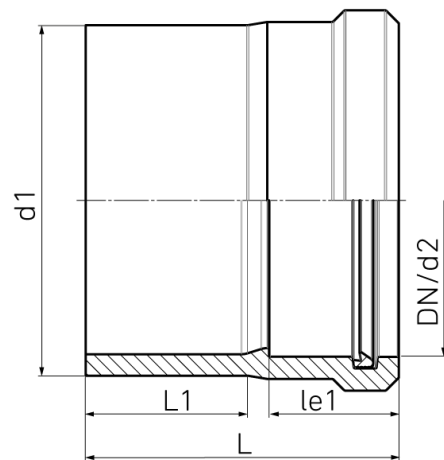


PE100-RC



**SDR 17**

| Art. No.         | DN<br>[mm] | d1<br>[mm] | d2<br>[mm] | le1<br>[mm] | L<br>[mm] | L1<br>[mm] | kg   |
|------------------|------------|------------|------------|-------------|-----------|------------|------|
| 4320601702500250 | 250        | 250        | 250        | 129         | 281       | 125        | 4,15 |

For questions, please feel free to contact us at: Tel. + 49 281 98 414 - 0