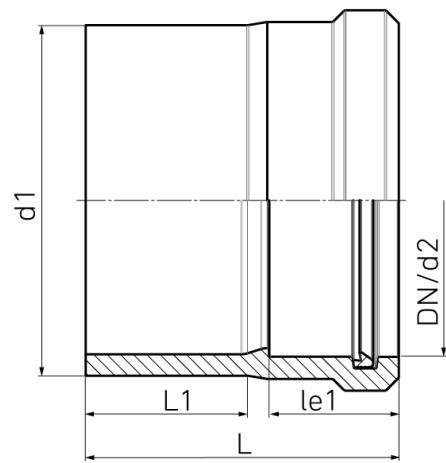


PE100-RC



SDR 17

Art. No.	DN [mm]	d1 [mm]	d2 [mm]	le1 [mm]	L [mm]	L1 [mm]	kg
4320601703550315	300	355	315	164	322	132	7,93

For questions, please feel free to contact us at: Tel. + 49 281 98 414 - 0