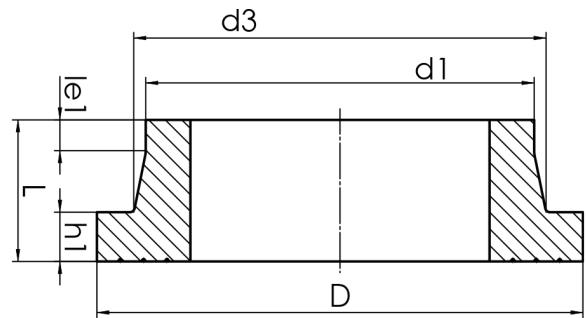


STUB END



short spigot for butt welding
 limited pressure load according to DVS 2210-1 Supplement 3 Part 2.1
 Design and dimensions according to ISO 9624 and DVS 2205 part 4

PE100



SDR 9



Art. No.	d1 [mm]	d3 [mm]	D [mm]	le1 [mm]	L [mm]	h1 [mm]	kg
4330010900630000	63	75	102	20	56	16	0,15

Other materials and pressure classes on request

For questions, please feel free to contact us at: Tel. + 49 281 98 414 - 0