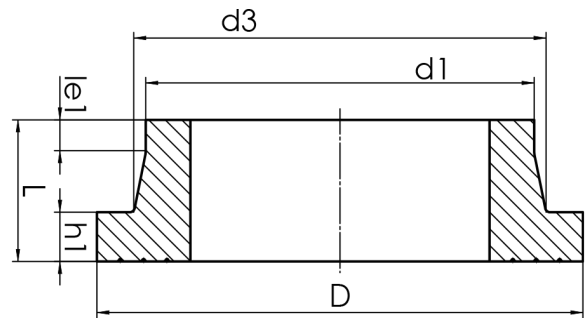


# STUB END



short spigot for butt welding  
 limited pressure load according to DVS 2210-1 Supplement 3 Part 2.1  
 Design and dimensions according to ISO 9624 and DVS 2205 part 4  
 suitable for loose flange DN200 PN25 according to DIN EN 1092-1

PE100



## SDR 9



Art. No.	d1 [mm]	d3 [mm]	D [mm]	le1 [mm]	L [mm]	h1 [mm]	kg
4330010902250000	225	235	278	25	100	35	2,3

outer diameter maximized according to ISO 9624  
 other materials and pressure classes on request

For questions, please feel free to contact us at: Tel. + 49 281 98 414 - 0