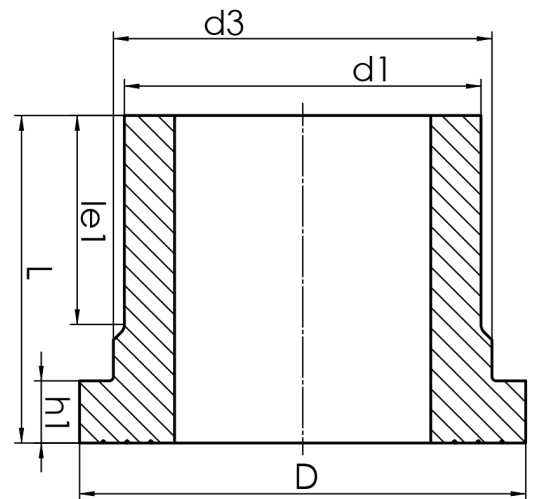


STUB END



long spigot for butt- and electrofusion welding
 limited pressure load according to DVS 2210-1 Supplement 3 Part 2.1
 Design and dimensions according to ISO 9624 and DVS 2205 part 4
 suitable for loose flange DN300 PN25 according to DIN EN 1092-1

PE100-RC



SDR 7,4



Art. No.	d1 [mm]	d3 [mm]	D [mm]	le1 [mm]	L [mm]	h1 [mm]	kg
4330030703150000	315	335	395	185	290	55	13,25

outer diameter maximized according to ISO 9624
 other materials and pressure classes on request

For questions, please feel free to contact us at: Tel. + 49 281 98 414 - 0