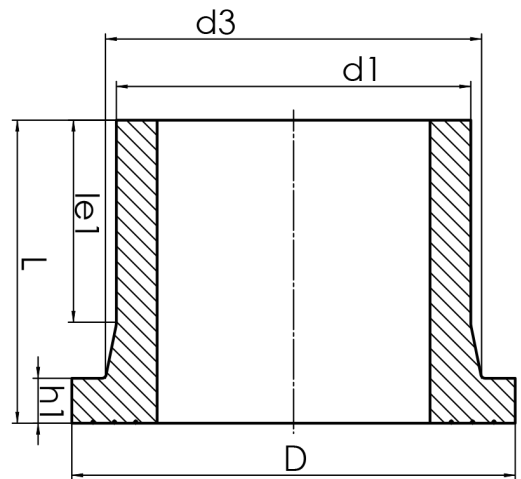


STUB END



long spigot for butt- and electrofusion welding
 limited pressure load according to DVS 2210-1 Supplement 3 Part 2.1
 Design and dimensions according to ISO 9624 and DVS 2205 part 4
 suitable for loose flange DN250 PN25 according to DIN EN 1092-1

PE100-RC



SDR 9



| Art. No. | d1 [mm] | d3 [mm] | D [mm] | le1 [mm] | L [mm] | h1 [mm] | kg |
|------------------|------------|------------|-----------|-------------|-----------|------------|-----|
| 4330030902800000 | 280 | 291 | 335 | 170 | 260 | 40 | 7,4 |

outer diameter maximized according to ISO 9624
 other materials and pressure classes on request

For questions, please feel free to contact us at: Tel. + 49 281 98 414 - 0