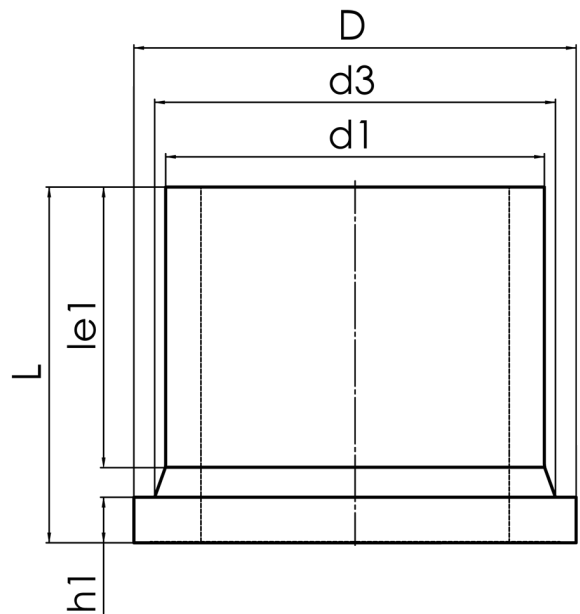


STUB END



long spigot for butt- and electrofusion welding
 pressure load according to DVS 2210-1 Supplement 3 Part 2.1

PE100-RC



SDR 26



| Art. No. | d1 [mm] | d3 [mm] | D [mm] | le1 [mm] | L [mm] | h1 [mm] | kg |
|------------------|------------|------------|-----------|-------------|-----------|------------|--------|
| 4330032612000000 | 1200 | 1245 | 1330 | 500 | 640 | 65 | 123,85 |

Other materials and pressure classes on request

For questions, please feel free to contact us at: Tel. + 49 281 98 414 - 0