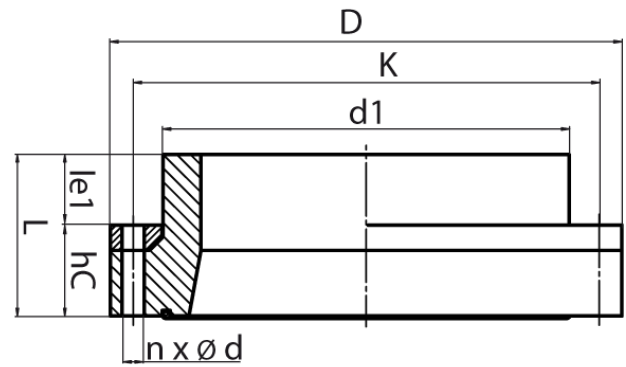


drilled according to DIN EN 1092-1 PN 16
 with EPDM-O-ring gasket and backing ring steel plastic coated
 optional with steel hot-dip galvanized or stainless steel backing ring
 short spigot for butt welding

PE100-RC



SDR 11



| Art. No. | DN [mm] | d1 [mm] | D [mm] | le1 [mm] | L [mm] | K [mm] | n | ??d [mm] | M | hc [mm] | kg |
|------------------|------------|------------|-----------|-------------|-----------|-----------|----|-------------|----|------------|------|
| 4330301103550300 | 300 | 355 | 460 | 75 | 135 | 410 | 12 | 26 | 24 | 65 | 17,7 |

Other materials, dimensions and pressure classes on request

* available for gas pipes with flat surface or NBR-Gaskets

For questions, please feel free to contact us at: Tel. + 49 281 98
 414 - 0