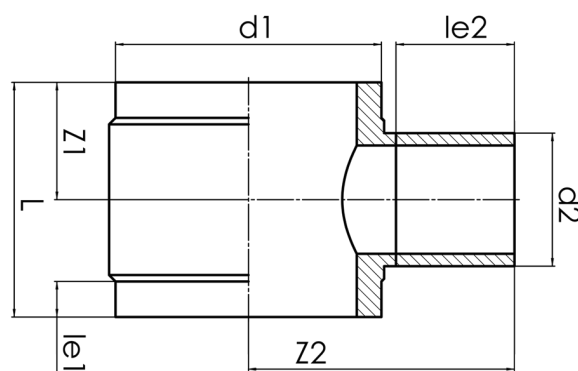


# TEE REDUCED



short spigot for butt welding

PE100-RC



## SDR 11



| Art. No.         | d1<br>[mm] | d2<br>[mm] | le1<br>[mm] | le2<br>[mm] | L<br>[mm] | z1<br>[mm] | z2<br>[mm] | kg |
|------------------|------------|------------|-------------|-------------|-----------|------------|------------|----|
| 4332201108000180 | 800        | 180        | 80          | 150         | 405       | 203        | 581        | 75 |

Other materials, dimensions and pressure classes on request

For questions, please feel free to contact us at: Tel. + 49 281 98 414 - 0