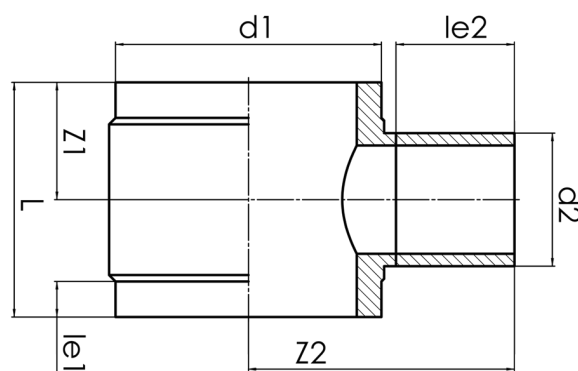


TEE REDUCED



short spigot for butt welding

PE100-RC



SDR 17



| Art. No. | d1 [mm] | d2 [mm] | le1 [mm] | le2 [mm] | L [mm] | z1 [mm] | z2 [mm] | kg |
|------------------|------------|------------|-------------|-------------|-----------|------------|------------|-------|
| 4332201716000400 | 1600 | 400 | 100 | 300 | 675 | 338 | 1137 | 395,9 |

Other materials, dimensions and pressure classes on request

For questions, please feel free to contact us at: Tel. + 49 281 98 414 - 0